



Engineered in the USA | Manufactured in South Korea

Robotics Solutions for Restaurants & Hospitality

| Servi + Do more with less

- ✓ **Available every day** with no sick days or no-shows.
- ✓ **Keep your team engaged with customers** by eliminating extra tasks.
- ✓ **Lower labour costs & maximize productivity** with smart staffing.
- ✓ Let your **team tackle more tasks** with a smart work environment.



Food Running
Stay at the front of house with guests.



Table Bussing
Quickly clear multiple tables at once.



Smart Multi Robot
Immediately increase your efficiency and ROI

| Scalable solutions for growing businesses

Our advanced robots collaborate seamlessly to maintain consistent quality and service.

- **Faster service:** Using multiple robots speeds up serving and table cleaning.
- **Better service:** With several robots handling tasks, customers get reliable service, letting staff focus on personal attention, making everyone happier.
- **Easy adaptation:** Multiple robots help restaurants adjust to busy or slow times effortlessly, fitting into existing routines smoothly.

Servi + Specifications

Accessories Equipped for Excellence



Universal Tray Drink
A convenient way to deliver drinks confidently.

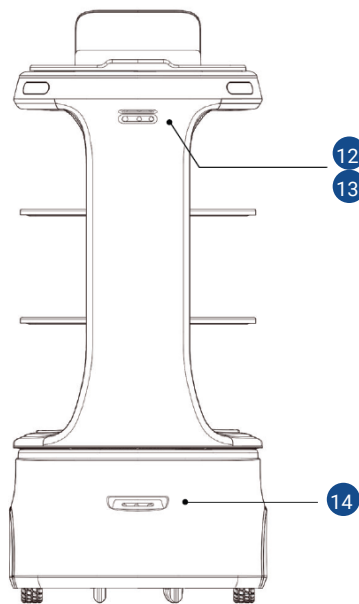
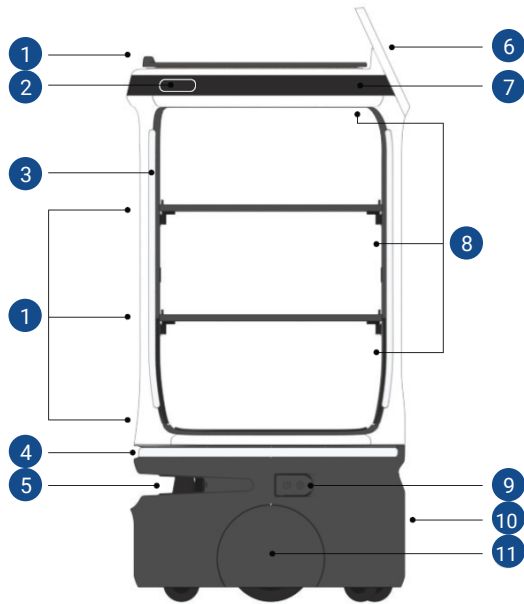


Food Cover
Keeps orders protected in an enclosed shell from kitchen to table.

48"
1230mm



Category	Spec
Dimensions (WxDxH)	21 x 23 x 48" 535 x 590 x 1230 mm
Touchscreen	10.4 inch
Weight	136 lbs (62kg)
Load Capacity	Max 22 lb (10kg) per tray, Max 88 lbs (40kgs) in total
Sensor	2D Lidar, 3D Camera
Speed	Max 1.2 m/s
Charging Time	4 hours
Battery	8-12 hours
Stability	Ramp (max 7 degrees), Strip (max 0.47", 12 mm)



- 1 Tray
- 2 Side button
- 3 Pillar light
- 4 Base LED
- 5 LiDAR sensor
- 6 Touchscreen
- 7 3-Sided custom display
- 8 Food light
- 9 Charging terminal and power button
- 10 E-stop button
- 11 Wheels
- 12 Down camera
- 13 Front Camera
- 14 Up Camera

Contact us: +1 416-551-5479